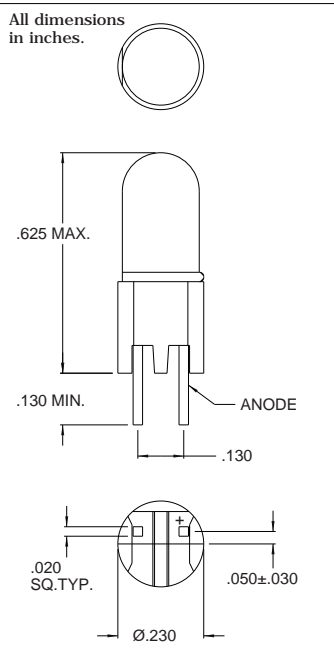




## 5340 Series T-1 3/4 Vertical LED Assembly

### DESCRIPTION AND FEATURES



#### Features

- Block mounting design assures height and side-by-side spacing alignment saves assembly costs.
- Super Brite T-1 3/4 LED Lamp, diffused wide angle viewing.
- Standoffs prevent flux entrapment.

Housing: Black Nylon, UL94V-O

### ELECTRO-OPTICAL CHARACTERISTICS AND RATINGS

Part Number	Emitted Color	Typical Intensity (mcd)	Rated Current (mA)	Continuous Forward Current Max. (mA)	Reverse Breakdown Voltage Min. (V)	Forward Voltage		Peak Wavelength (nm)
						Typ. (V)	Max. (V)	
5340H1	Red	6.3	10	60	5	2.0	3.0	570
5340H3	Amber	10	10	60	5	2.0	3.0	585
5340H5	Green	10	10	60	5	2.2	3.0	640
5340H7	Yellow	6.3	10	60	5	2.2	3.0	660
5340H1LC	Red	2.3	2	7	5	1.8	2.2	570
5340H5LC	Green	2.3	2	7	5	1.8	2.2	585
5340H7LC	Yellow	2.1	2	7	5	1.9	2.7	640
5340H1-5V	Red	8	10	15	5	5	7.5	660
5340H3-5V	Amber	8	10	15	5	5	7.5	570
5340H5-5V	Green	8	10	15	5	5	7.5	585